



Made in  
Germany

# Qnix<sup>®</sup> 5500

The coating thickness gauge  
– focusing on the essential aspects

# QNix® 5500

## The coating thickness gauge

QNix® 5500  
with integrated or  
with changeable  
probe



### SAFETY BY PRECISION AND TRUENESS

For valid results in quality assurance

- High measuring trueness over the entire range
- High repeatability of measured results
- Temperature compensation directly in the sensor

### ROBUSTNESS AND RESISTANCE

For long and reliable use, even under harsh conditions

- Fiberglass reinforced, 5 piece casing with IP65 dust and splash water protection
- Three layer protection to absorb shocks
- LCD glass providing resistance against scratches and chemicals (Level H6)
- Stainless steel probe with dust protection membrane (IP65)

### TIME SAVING BY ERGONOMICS

Fast working progress for fatigue-proof continuous use

- Luminosity IPS-LCD, 2", colour, 350 cd/m<sup>2</sup>, reading angle 70°
- Automatic flip display 0°, 90°, 180°, 270°
- Low centre of gravity with large contact surface for precise measuring

### FLEXIBILITY AND EXPANDABILITY

Future-proof by changeable probes

- Gauge body suitable for Fe-, NFe- and dual-probes
- Integrated probe and cable probe available in one device
- Increased readiness for use by quick change of probes

## QNix® 5500 in use



The QNix® 5500 is handy, extremely robust, ergonomic and designed for continuous use.

Decide for yourself if you want to use the gauge with inserted probe or with the robust drag chain.

Just in case, simply unplug the cable, insert the probe into the gauge and continue measuring.

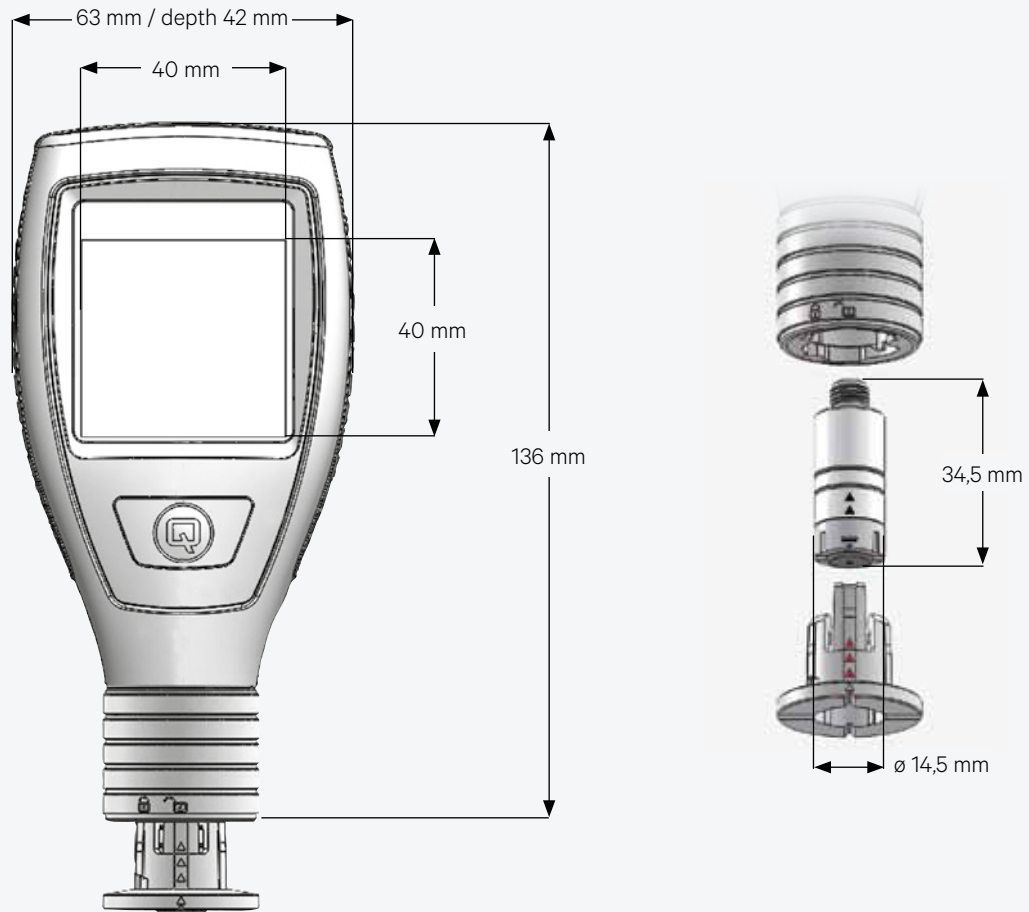
Whether in industrial coating or job coating, in heavy corrosion protection or in vehicle evaluation by automotive experts and retailers: The QNix® 5500 supports you optimally in checking your coatings quickly without extensive set up of the gauge - switch it on, place on surface, and read the measurement.

The bright, 2" large colour LCD with automatic flip display makes it easier to read the values in any position – even in dim conditions like in dark areas inside tanks or bridges or when working in bright sunlight. The gauge displays all necessary statistical information of your current measurement sequence like mean value, maximum and minimum value and standard deviation.

The large foot and low centre of gravity ensures correct placement and avoids incorrect measurements. To measure small or angled areas simply use the probe cable and transform the QNix® 5500 into a cable device within a few seconds. The angled cable connection facilitates working even in small spaces.

The one button operation allows you fast zero adjustment on your base metal or on the supplied zero plates.

For every application, there is the right probe, which is precise and true over the entire measuring range varying from 1,25 mm and 3 mm up to 5 mm, available as Fe-, NFe- or dual probes.



## QNix® 5500 scope of supply



### Delivery scope of the QNix® 5500 integrated model

- Handheld QNix® 5500 gauge
- Fe- and NFe-reference plate and two test foils
- Test certificate
- Operation manual
- 2 Mignon batteries 1,5 V (AA) alkaline
- Plastic case for transport and storage

If a probe is ordered with the modular system, the scope of delivery is extended by

- Probe
- Test certificate for measuring probe



### Delivery scope of the QNix® 5500 cable model

- Handheld QNix® 5500 gauge
- Fe- and NFe-reference plate and two test foils
- Operation manual
- Probe holder
- Probe cable
- 2 Mignon batteries 1,5 V (AA) alkaline
- Plastic case for transport and storage



## QNix® 5500 technical details

### Electrical details

|                                                                      |                                                                               |
|----------------------------------------------------------------------|-------------------------------------------------------------------------------|
| Power supply                                                         | 2 x AA (batteries or rechargeable batteries)                                  |
| Battery life when device is not in use at min. 50 % battery capacity | > 1 year                                                                      |
| Battery life at one measurement per second                           | up to 60,000 readings                                                         |
| Display                                                              | IPS-LCD, 2", colour, 350 cd/m <sup>2</sup> , viewing angle 70° all directions |

### Mechanical details

|                                                    |                    |
|----------------------------------------------------|--------------------|
| Material housing parts hard fiberglass reinforced* | PA12 GF30          |
| Material housing parts soft**                      | TPE-U              |
| Material sensor holder (transparent)*              | Trogamid® (CX7323) |
| Scratch resistant glass display                    | H6                 |
| Thickness of glass display                         | 2 mm               |
| Dimensions (H x W x D)                             | 136 x 63 x 42 mm   |
| Weight                                             | 132 g              |

### Robustness / external conditions

|                       |                  |
|-----------------------|------------------|
| IP protection         | IP65             |
| Operating temperature | -20 °C to +70 °C |
| Storage temperature   | -20 °C to +70 °C |

### Classification

### Measurement range

|                                            |              |                   |             |             |             |
|--------------------------------------------|--------------|-------------------|-------------|-------------|-------------|
| QNix® 5500 with integrated probe, optional | Fe:          | 3 mm              | 5 mm        |             |             |
|                                            | dual Fe/NFe: | 3 mm              | 5 mm        |             |             |
| QNix® 5500 with modular probe, optional    | Fe:          | 1,25 mm           | 3 mm        | 5 mm        |             |
|                                            | NFe:         |                   | 3 mm        | 5 mm        |             |
|                                            | dual Fe/NFe: | 1,25 mm / 1,25 mm | 3 mm / 3 mm | 5 mm / 3 mm | 5 mm / 5 mm |

\* Clean with a damp cloth; chemically resistant against acetone, nitro dilution, break cleaner and ethanol.

\*\* Clean with a damp cloth; chemically resistant against nitro dilution, break cleaner and ethanol.

## QNix® 5500 changeable probes modular – robust – flexible



All exchangeable standard probes of the QNix® 5500 can also be used in the new QNix® 9500. QNix® thus ensures the flexibility and compatibility of the new probes which are interchangeable between both models.

The QNix® probes have been completely redeveloped: The standard probes are small and extremely robust. FE-, NFe- and dual probes with different measuring ranges are available.

The coating thickness gauge QNix® 5500 is available with a fixed integrated probe and a modular, exchangeable probe.

### QNix® 5500 changeable probes

- Stainless steel probes with a protective membrane IP65 dust and splash water protection
- Rough measuring head with polished ruby
- Chemical resistant material for cleaning with solvents (acetone, nitro dilution)
- Probe adaptor cable made of drag chain compatible PUR



## Technical data QNix® probes

### Technical measurements

|                                                                                |                                                                                                                                            |
|--------------------------------------------------------------------------------|--------------------------------------------------------------------------------------------------------------------------------------------|
| Status display with RGB-LED on the probe                                       | yes                                                                                                                                        |
| Measuring principle                                                            | magnetic: magnetic field amendment / hall-effect Fe / whirl current NFe                                                                    |
| Standards                                                                      | DIN EN ISO 2808, DIN 50981, DIN 50984, ISO 2178, BS 5411 (3 & 11), BS 3900-C5, ASTM B 499, ISO 2360, ASTM D 1400, ASTM D 1186, ASTM D 7091 |
| Measuring range                                                                | depending on the probe                                                                                                                     |
| Measuring speed (measurements per minute)                                      | ≥ 120                                                                                                                                      |
| Accuracy of measurement on Fe substrates related to QNix® reference standards  | ± (1 µm + 2 % of the reading) to 2,0 mm<br>± 3 % of the reading from 2,0 mm                                                                |
| Accuracy of measurement on NFe substrates related to QNix® reference standards | ± (2 µm + 2 % of the reading) to 2,0 mm<br>± 3 % of the reading from 2,0 mm                                                                |
| Smallest measuring surface Fe / NFe                                            | diameter 14,5 mm                                                                                                                           |
| Smallest curvature                                                             | konvex Fe 6 mm – Zero point adjustment on original substrate (accuracy checked up to 250 µm)                                               |
| Smallest curvature                                                             | konvex NFe 50 mm – Zero point adjustment on original substrate (accuracy checked up to 250 µm)                                             |
| Minimum thickness of base metal                                                | Fe 100 µm – Zero point adjustment on original substrate (accuracy checked up to 250 µm)                                                    |
| Minimum thickness of base metal                                                | NFe 50 µm – Zero point adjustment on original substrate (accuracy checked up to 250 µm)                                                    |

### Mechanical properties

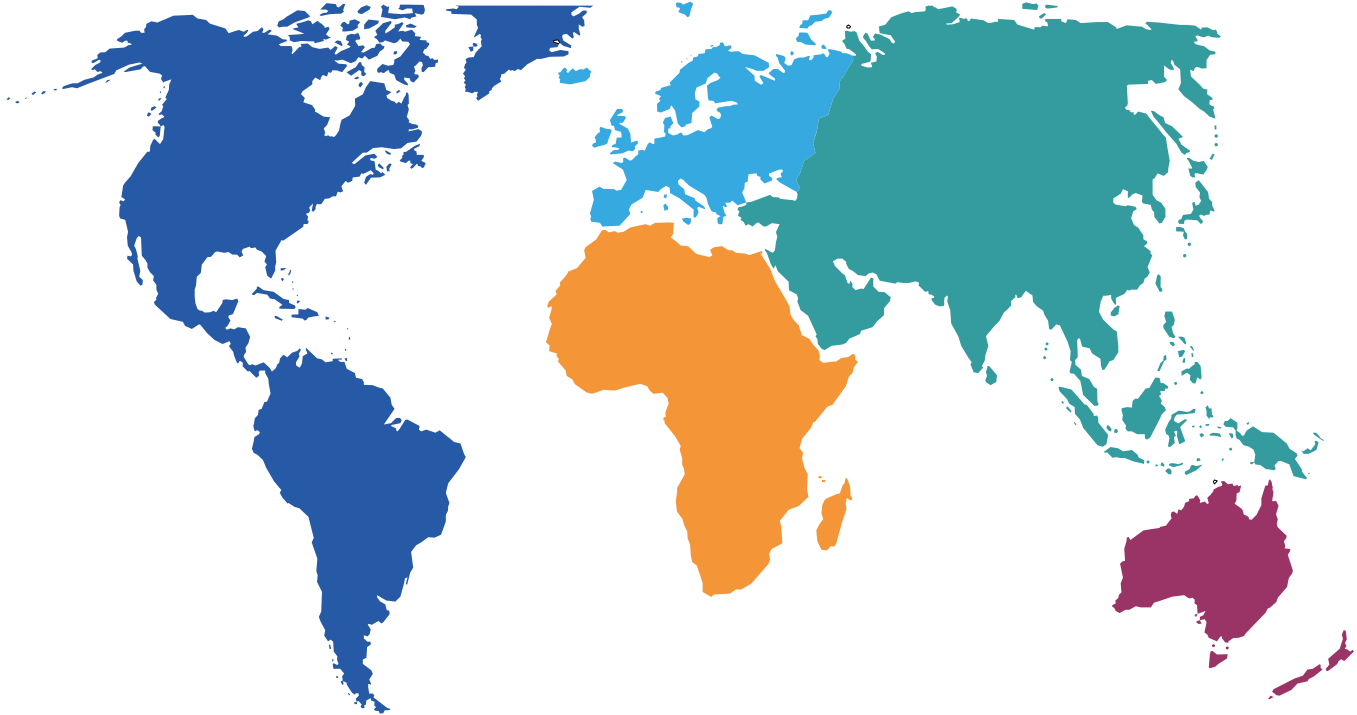
|                               |                              |
|-------------------------------|------------------------------|
| Material casing top*          | Stainless steel V4A (1.4305) |
| Material casing bottom*       | Trogamid® (CX7323)           |
| Material measuring tip*       | Ruby, polished (Al2O3)       |
| Dimensions (height, diameter) | 34,5 mm, 14,5 mm             |
| Weight                        | 11,9 g                       |

### Robustness / environmental conditions

|                                                         | Classification   |
|---------------------------------------------------------|------------------|
| IP protection                                           | IP65             |
| Operating temperature                                   | -20 °C to +70 °C |
| Storage temperature                                     | -20 °C to +70 °C |
| Max. surface temperature                                | 80 °C            |
| Max. surface temperature at 1s measuring time every 20s | 100 °C           |

\* Clean with a damp cloth; chemically resistant against acetone (except soft rubber parts e.g. keyboards or rubber protective frame), nitro dilution and ethanol

## QNix® coating thickness gauges are global players



**Germany** Cologne (Headquarter) **Belgium** Temse **Denmark** Copenhagen **Estonia** Tallinn **Finland** Turku **France** Saint Ouen  
**Great Britain** Ludlow **Greece** Thessaloniki **Italy** Lugo **The Netherlands** Capelle aan den IJssel Rotterdam **Norway** Lørenskog  
**Austria** Vienna **Poland** Racibórz **Romania** Târgu Secuiesc **Russia** Gatchina **Sweden** Hillerstorp **Switzerland** St. Gallen **Serbia**  
 Belgrad **Slovakia** Bratislava **Slovenia** Krsko **Spain** Barcelona **Czech Republic** Ostrava **Turkey** Istanbul **Hungary** Budapest **Ukraine**  
 Zhovti Vody **Australia** Sydney **China** Beijing **Taiwan** Tapei **South Korea** Kimpo-Si **Japan** Tokyo **USA** Tracy **Canada** Toronto  
**Mexico** Mexico-City **Brazil** Jarinu **Egypt** Cairo **Libya** Tripolis **Morocco** Rabat **Tunesia** Tunis **Israel** Petah **Jordan** Amman **Lebanon**  
 Beirut **Syria** Damaskus **United Arab Emirates** Schardscha **Iran** Teheran **Iraq** Bagdad **Kuwait** Kuwait City **Bahrain** Manamah **Qatar**  
 Doha **Saudi Arabia** Riad **Oman** Maskat **Yemen** Sanaa **Eritrea** Asmara **India** Thane Chennai **Indonesia** Jakarta **Malaysia** Bayan Lepas  
**Pakistan** Lahore **Singapore** Singapore **Thailand** Bangkok **Vietnam** Ho-Chi-Minh-City **South Africa** Rivonia

### Automation Dr. Nix GmbH & Co. KG

Robert-Perthel-Str. 2  
 50739 Köln – Germany

Phone +49 (0) 221 91 74 55-0  
 Fax +49 (0) 221 17 12 21

[info@automation.de](mailto:info@automation.de)  
[www.q-nix.com](http://www.q-nix.com)